

T2S ETH with CATENA

for MODULAR INVERTER SYSTEMS

Description

- System monitoring solution for inverter systems
- Monitoring data from system level to module level
- Rear ethernet connection for LAN connectivity
- Front ethernet connection for maintenance and service
- Highly configurable alarms, digital inputs and relays mapping
- Support multiple protocols like Modbus and SNMP to be integrated in BMS
- Extended memory for log file
- Easy to update from remote location (user interface) or locally (USB)
- File download/upload from USB stick front face
- Basic and Expert user level access
- Web based user interface accessible locally through 7" touchscreen or remotely from web browser
- Compatible with : TSI Nova, Media, Bravo & ECI Bravo modular inverters



Features

Supported Protocols

- Modbus TCP/IP (read only)
- Modbus RTU (read-only) on RS485
- SNMP v1, v2c and v3 based either on CET MIB or RFC1628 MIB

Environmental

- Temperature :
 - Ambient : -20°C to 50°C
 - Storage : -40°C to 70°C
- Humidity : 95% non condensing

Logs

- Event log up to 2000 events (FIFO)

System features

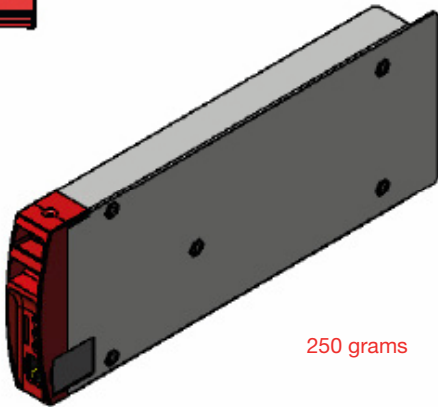
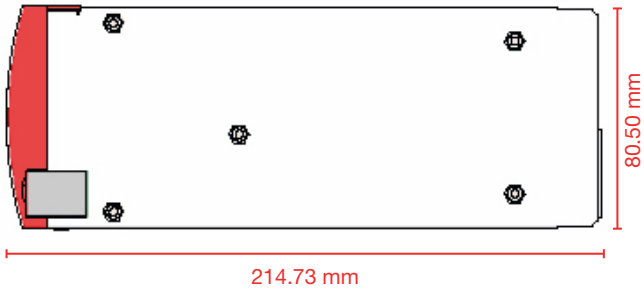
T2S ETH

- 3 output relays (Major, Minor and one user programmable)
- 2 digital inputs
- ETH connection
- 3 status LED (Major, Minor, OK)
- CET Module bus
- Rack mounting
- 12V power supply from shelf

Catena

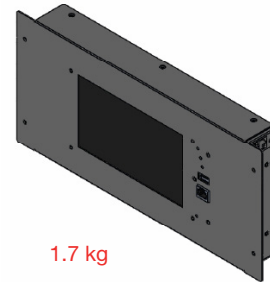
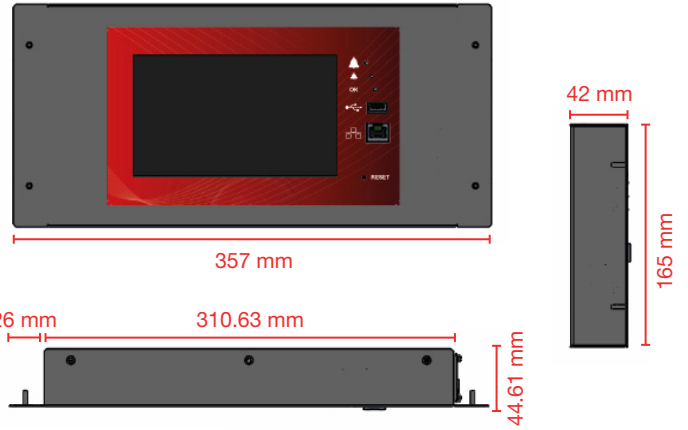
- 7" LCD capacitive touchscreen
- 3 status LED (Major, Minor, OK)
- 1x front USB
- 1x front Ethernet + 1x rear Ethernet (not coupled)
- Rack or panel mounting
- Redundant 12V power supply

Product name: T2S ETH - 2U
Part number: T322010100



* Other T2S ETH variants on dedicated T2S ETH datasheet

Product name: Catena - Panel door mount
Part number: T302003021



Product name: Catena - Rack mount
Part number: T302003010

